

OPTICAL INTERLEAVER

NEXFON's MARK™ series 25-50GHz Optical Interleaver is the product for DWDM filtering and optical add/drop multiplexing (OADM). Based on NEXFON's patented proprietary micro optics technologies and manufacturing processes, the revolutionary MARK™-25 interleaver design will substantially simplify and enhance the implementation of DWDM metro and long-haul networks.

Features

- Full C or C+ L band coverage
- Low insertion loss & dispersion
- Wide and flat passband
- Optical path epoxy free
- Athermal design
- Compact size
- Telcordia compliant
- RoHS compliant

Applications

- Long haul/Metro networks
- Network capacity expansion
- Signal comb filtering
- Bidirectional Networks

Specifications

| Parameter | | MARK I | MARK II | Unit |
|---|-----|--------------------------------|---------------------|------|
| Wavelength (C band, for end channel ITUs) | | 1529.55 to 1561.42 | | nm |
| Wavelength (L band, for end channel ITUs) | | 1572.48 to 1608.33 | | nm |
| Frequency (C band, for end channel ITUs) | | 192,000 to 196,000 | | GHz |
| Frequency (L band, for end channel ITUs) | | 186,400 to 190,650 | | GHz |
| Number of Channels | Min | 160 | | |
| Clear Band | Min | ±5 | ±7 | GHz |
| Insertion Loss within clear bandwidth ^{1,2} | Max | 2.5 | | dB |
| Ripple within clear bandwidth ^{2,3} | Max | 0.5 | | dB |
| PDL within clear bandwidth ^{2,4} | Max | 0.5 | | dB |
| Insertion Loss Uniformity ^{2,5} | Max | 0.5 | | dB |
| Adjacent channel isolation ^{2,6} | Min | 20 (Std) 22 (HI) 25 (EI) | 20 (Std) 22 (HI) | dB |
| Return Loss ¹ | Min | 45 | | dB |
| Directivity | Min | 50 | | dB |

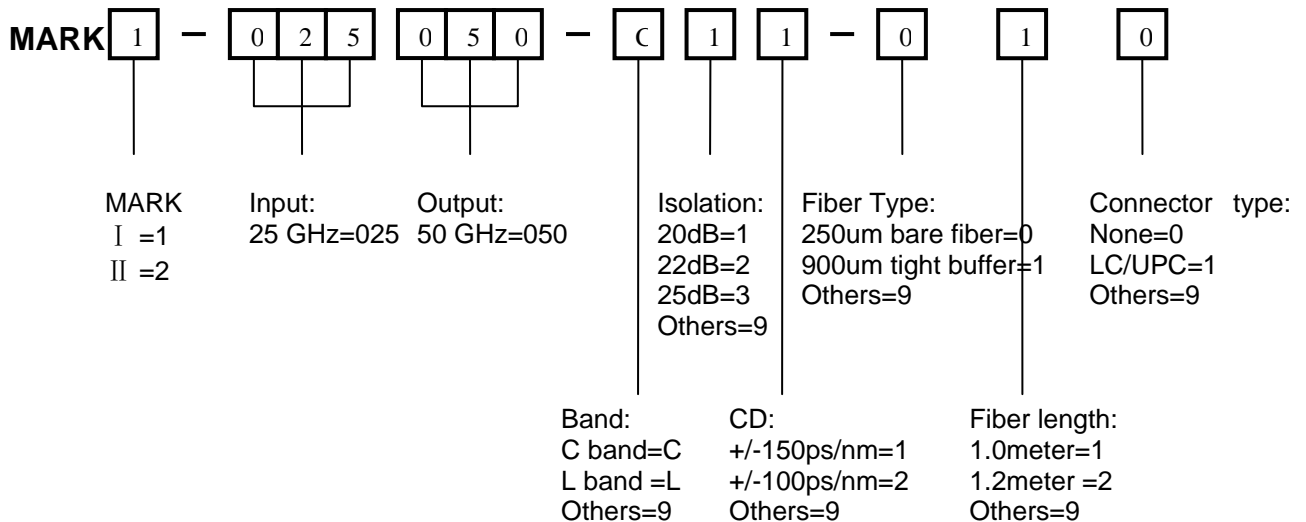
| | | | |
|--|-----|-----------------------|-------|
| Polarization Model Dispersion | Max | 0.2 | Ps |
| Chromatic Dispersion within clear bandwidth(with ITU±5GHz) | Max | ±150(Std) ±100(LD) | ps/nm |
| Optical Power | Max | 250 | mw |
| Operating temperature | | -5 to 70 | °C |
| Storage temperature | | -40-85 | °C |
| Package Dimensions(L x W x H) | | 108 x 60 x 10.3 | mm |

Note:

1. Without connector.
2. Over all operating temperatures and states of polarization (SOP).
3. Measured at any given SOP.
4. Difference between insertion loss at any two SOP, measured at a given wavelength.
5. Difference between the maximum insertion loss over any two clear bandwidths, at any given SOP, and at any operating temperature.
6. Measured over clear bandwidth of both adjacent channels.

Order Information

Nexfon can provide a range of customized optical solutions. Please contact Nexfon`s design team or account manager for your requirements and ordering information.



Note: Please note the detailed information when you choose the option "others".